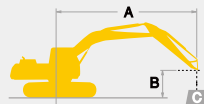


Working Ranges

Unit: ft-in {m}

Boom		21'4" {6.50m}
Range	Arm	7'5" {2.25m}
a - Max. digging reach		
		33'11" {10.35}
b - Max. digging reach at ground level		
		33'3" {10.14}
c - Max. digging depth		
		21'4" {6.51}
d - Max. digging height		
		33'9" {10.28}
e - Max. dumping clearance		
		23'2" {7.05}
f - Min. dumping clearance		
		12'3" {3.73}
g - Max. vertical wall digging depth		
		14'2" {4.32}
h - Min. swing radius		
		14'8" {4.48}
i - Horizontal digging stroke at ground level		
		11'1" {3.39}
j - Digging depth for 8 feet flat bottom		
		20'8" {6.31}
Bucket capacity SAE heaped		cu.yd. {m ³ } 3.01 {2.3}
Bucket digging force	lbs {kN}	SAE 50,600 {224.9} / 55,600 {247.4}* ISO 56,000 {249.3} / 61,600 {274.2}*
		SAE 50,400 {224} / 55,300 {246}* ISO 51,900 {231} / 57,300 {255}*
Arm crowding force	lbs {kN}	SAE 50,400 {224} / 55,300 {246}* ISO 51,900 {231} / 57,300 {255}*
		SAE 50,400 {224} / 55,300 {246}* ISO 51,900 {231} / 57,300 {255}*

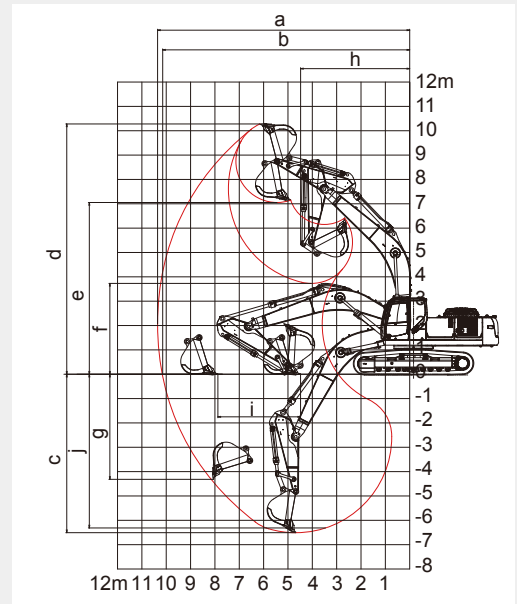
* Power Boost engaged.



Rating over front



Rating over side or 90 degrees



A – Reach from swing centerline for bucket hook
B – Arm bucket pin height above/below ground
C – Lifting capacities in pounds

Lifting Capacities

SK350LC		Arm: 7'5" {2.25m} Bucket: Less Counterweight ; 19,400 lbs {8,800 kg} Shoe: 31.5" {800}								HEAVY LIFT		
A	B	10' {3.0m}		15' {4.6m}		20' {6.1m}		25' {7.6m}		At Max. Reach		
		Rating over front	Rating over side or 90 degrees	Rating over front	Rating over side or 90 degrees	Rating over front	Rating over side or 90 degrees	Rating over front	Rating over side or 90 degrees	Radius		
25' {7.6m}	lb(kg)					*20,800(*9,430)	*20,800(*9,430)			*20,840(*9,450)	20,730(9,400)	21'10" (6.67m)
20' {6.1m}	lb(kg)					*21,540(*9,770)	*21,540(*9,770)	*20,090(*9,110)	16,550(7,500)	*20,110(*9,120)	16,280(7,380)	25'2" (7.69m)
15' {4.6m}	lb(kg)					*23,800(*10,790)	22,490(10,200)	*20,590(*9,330)	16,180(7,330)	*19,930(*9,040)	14,120(6,400)	27'3" (8.30m)
10' {3.0m}	lb(kg)					*26,500(*12,020)	21,220(9,620)	*21,760(*9,870)	15,590(7,070)	*20,040(*9,080)	13,070(5,920)	28'3" (8.61m)
5' {1.5m}	lb(kg)					*28,510(*12,930)	20,270(9,190)	*22,770(*10,320)	15,080(6,840)	19,780(8,970)	12,750(5,780)	28'4" (8.64m)
G.L.	lb(kg)					*29,110(*13,200)	19,820(8,990)	*23,030(*10,440)	14,800(6,710)	20,470(9,280)	13,130(5,950)	27'6" (8.39m)
-5' {-1.5m}	lb(kg)			*36,210(*16,420)	29,990(13,600)	*28,020(*12,700)	19,810(8,980)	*21,750(*9,860)	14,880(6,740)	*20,770(*9,420)	14,410(6,530)	25'8" (7.84m)
-10' {-3.0m}	lb(kg)	*38,520(*17,470)	*38,520(*17,470)	*31,560(*14,310)	30,620(13,880)	*24,490(*11,100)	20,280(9,190)			*20,400(*9,250)	17,350(7,860)	22'8" (6.91m)
-15' {-4.6m}	lb(kg)			*22,380(*10,150)	*22,380(*10,150)					*17,950(*8,140)	*17,950(*8,140)	17'9" (5.41m)

Notes:

- Do not attempt to lift or hold any load that is greater than these lift capacities at their specified lift point radius and heights. Weight of all accessories must be deducted from the above lift capacities.
- Lift capacities are based on machine standing on level, firm, and uniform ground. User must make allowance for job conditions such as soft or uneven ground, out of level conditions, side loads, sudden stopping of loads, hazardous conditions, experience of personnel, etc.
- Arm bucket pin is defined as lift point.
- The above lifting capacities are in compliance with SAE J/ISO 10567. They do not exceed 87% of hydraulic lifting capacity or 75% of tipping load. Lifting capacities marked with an asterisk (*) are limited by hydraulic capacity rather than tipping load.
- Operator should be fully acquainted with the Operator's and Maintenance Instructions before operating this machine. Rules for safe operation of equipment should be adhered to at all times.
- Lift capacities apply to only machines as originally manufactured and normally equipped by KOBELCO CONSTRUCTION MACHINERY CO., LTD.

Note: This catalog may contain attachments and optional equipment that are not available in your area. And it may contain photographs of machines with specifications that differ from those of machines sold in your areas. Please consult your nearest KOBELCO distributor for those items you require.

Due to our policy of continuous product improvements all designs and specifications are subject to change without advance notice.

Copyright by KOBELCO CONSTRUCTION MACHINERY CO., LTD. No part of this catalog may be reproduced in any manner without notice.

KOBELCO CONSTRUCTION MACHINERY U.S.A. INC.

4690 World Houston Parkway Houston, TX 77032
http://www.kobelco-usa.com/

Inquiries To:

Bulletin No. SK350LC-ME-NA-101

2014080000E Printed in USA